

90° HYBRID ENCLOSURE CONSTRUCTION

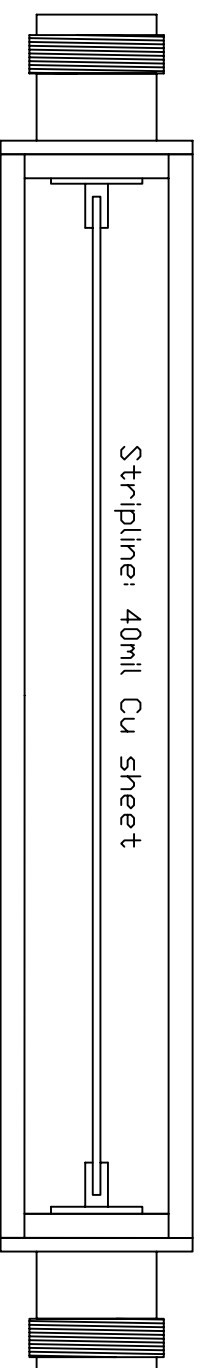
Dimensions in inches

Enclosure ends:
 $1/8" \times 0.75" \times 145\text{mm}$

Enclosure sides:
 $1/8" \times 0.75" \times (137\text{mm} + 0.25")$

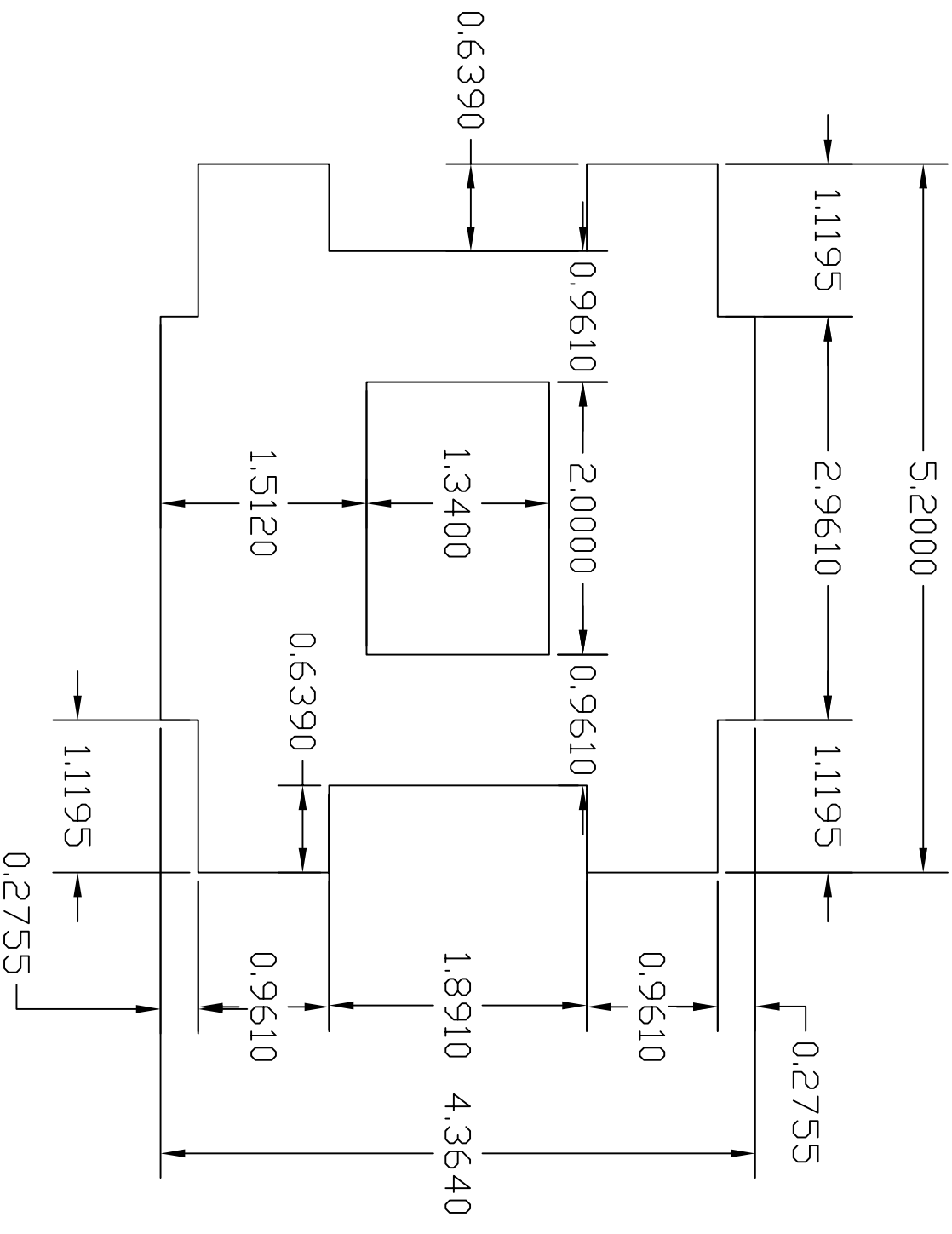
Top & bottom cover plates:
 $1/8" \times (137\text{mm} + 0.25") \times (145\text{mm} + 0.25")$

Use $1/8"$ Cu plate for the enclosure top & bottom covers, ends and sides



N connector solder cups notched to hold stripline flat & perfectly centered vertically between covers

23 cm 90° Hybrid Stripline



23 CM 90° HYBRID

Dimensions in inches

